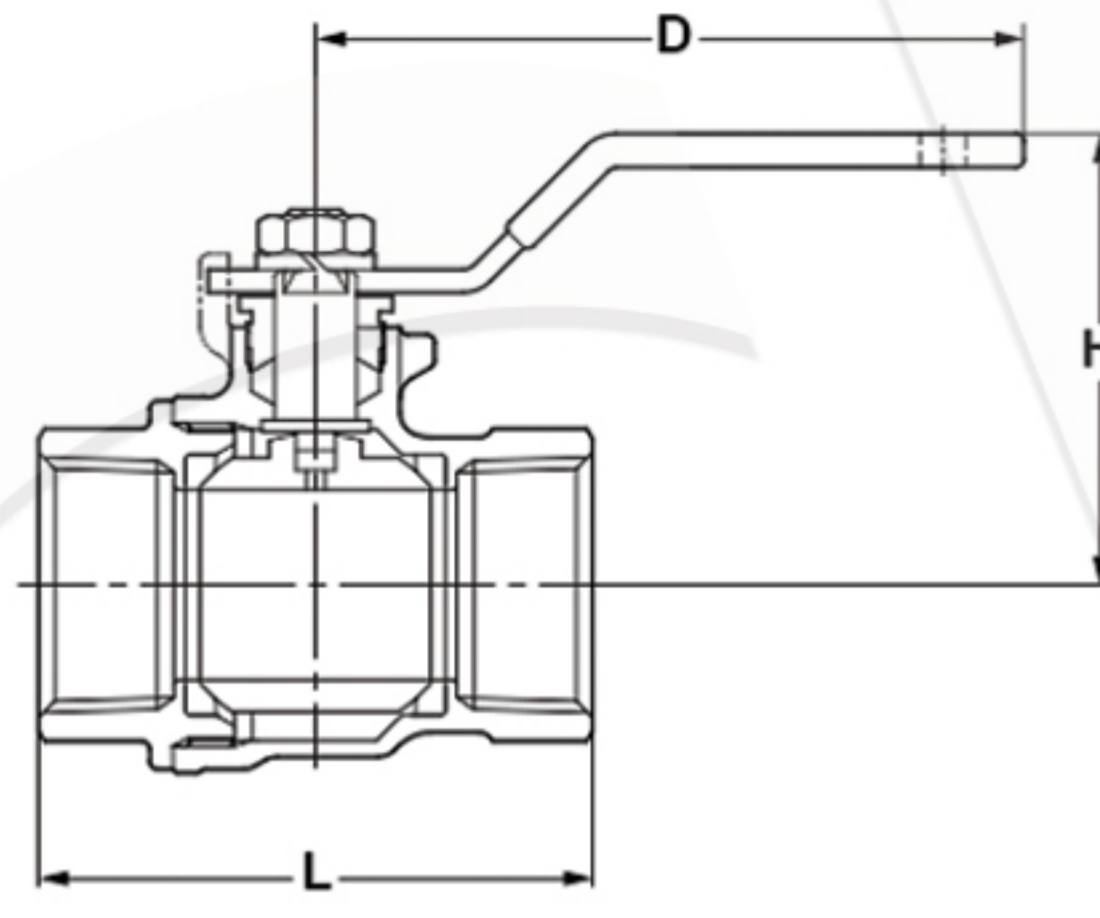


TYPE 600

BRASS BALL VALVE, FULL PORT

Screwed body cap, Blowout-proof Stem
Threaded ends to ASME B1.20.1

W.O.G. non-shock 4.14 MPa (600 psi), Saturated steam pressure 1.03 MPa (150 psi)



Materials

Parts	Material
Body	Brass
Body cap	Brass
Stem	Dezincification Resistant Brass
Ball	Brass (TEA Plating)
Ball seat	PTFE
Gland Packing	PTFE

Fig. AKTAF

• Threaded end to ASME B1.20.1

Approvals (up to 2)

			
NSF/ANSI61-8	CSA (US/C)	UL	FM

Dimensions

Nominal Size			mm							
	inch		1/4	3/8	1/2	3/4	1	1 1/4	1 1/2	2
			8	10	15	20	25	32	40	50
L			41	42	53	60	72	82	92	105
H			39	39	42	51	59	64	73	80
D			82	82	82	100	130	130	150	150